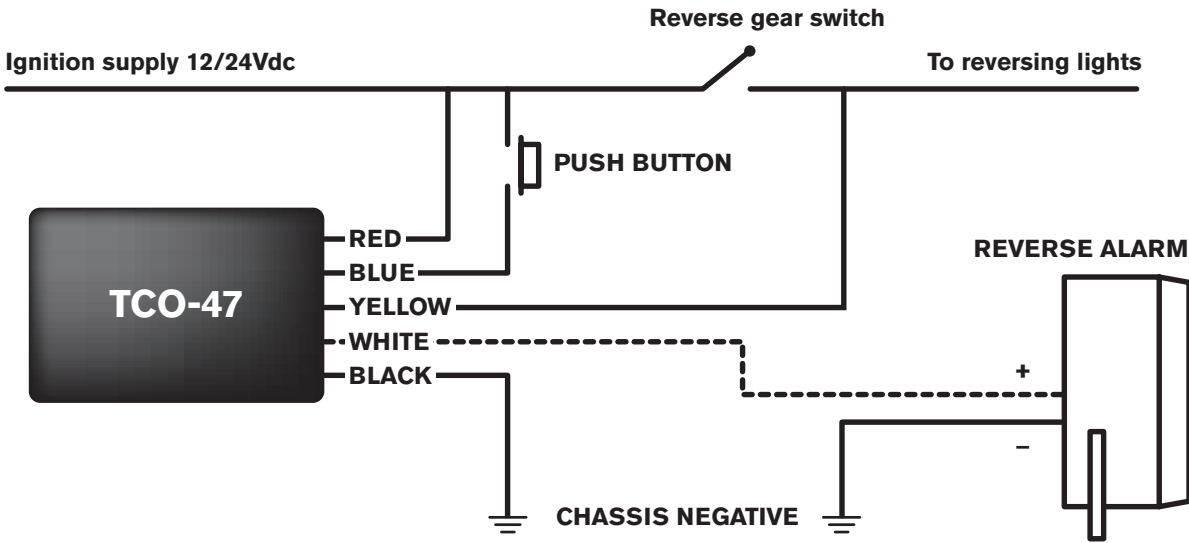


#0663 TCO-47 timed cut out switch 12/24Vdc

The TCO-47 should be fitted in the BACKALARM positive feed circuit, as per the diagram shown.



When the push button is pressed, the timer will silence the reverse alarm for 4 minutes

